

**ICBDF606CG**

**FEATURES**

6 dual-stacked burners plus 15 MJ infrared chargrill and 15 MJ infrared teppanyaki

Burners capable of delivering less than 0.5 MJ for premier simmer performance

10 cooking modes make meals easy

Dual-stacked burners produce up to 16 MJ/h

Exclusive pivoting control panel

Over 220 Litres of dual convection capacity in two ovens

Rigorously tested in our U.S. manufacturing facilities for decades of use

Exceptional support from our Customer Care team

Continuous cast-iron grates for easy movement of pots and pans

Cobalt blue porcelain interior

Dual convection oven for faster, more consistent cooking

Spark ignition system re-ignites if flame goes out

Heavy-gauge stainless steel

Red, black or stainless steel control knobs

Temperature probe cooks to ideal doneness and lets you know when it's ready

Self clean, delayed start, timed cook, Sabbath mode and more

**ACCESSORIES**

Stainless steel, brass or chrome bezels

13 cm and 25 cm stainless steel risers, and 51 cm riser with shelf

Accessories available through an authorized dealer.

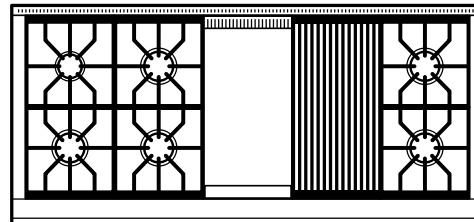
For local dealer information, visit [subzero-wolf.com/locator](http://subzero-wolf.com/locator).



**KNOB OPTIONS**



**TOP CONFIGURATION**



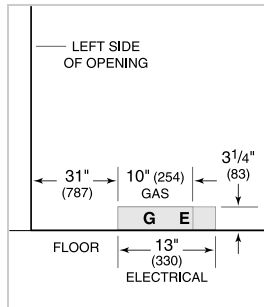
**RANGETOP SPECIFICATIONS**

- 1 - 9 MJ/h Burner
- 5 - 16 MJ/h Burner
- 1 - 15 MJ/h Teppanyaki
- 1 - 15 MJ/h Chargrill

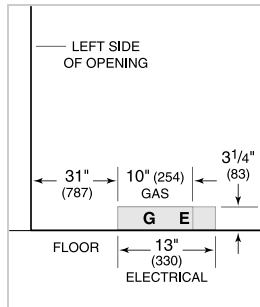
**PRODUCT SPECIFICATIONS**

Model	ICBDF606CG
Dimensions	1527mmW x 937mmH x 749mmD
Oven 1 Interior Dimensions	635mmW x 419mmH x 483mmD
Oven 2 Interior Dimensions	635mmW x 419mmH x 483mmD
Oven 1 Overall Capacity	127 L
Oven 2 Overall Capacity	127 L
Door Clearance	495mm
Weight	431 kg
Electrical Supply	220-240 VAC; 50/60 Hz
Electrical Service	38 amp
Gas Inlet	Class B or Class D hose assembly

**ELECTRICAL**

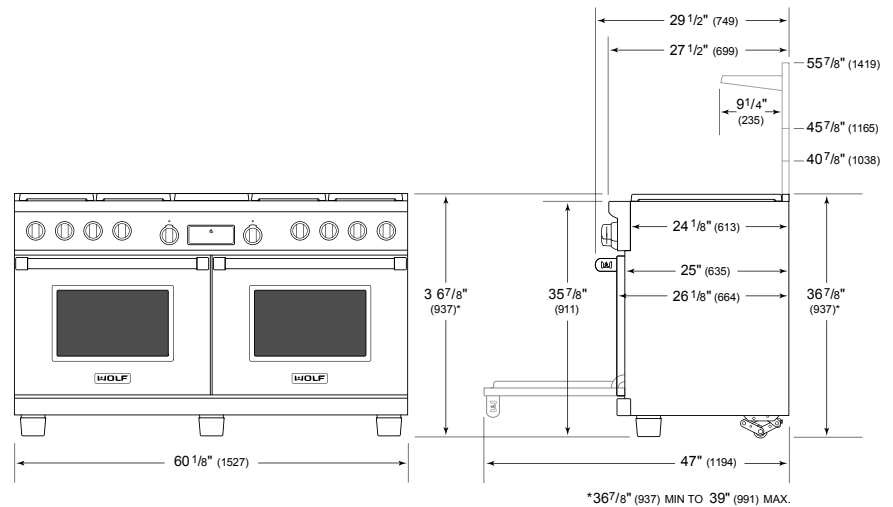


**GAS**

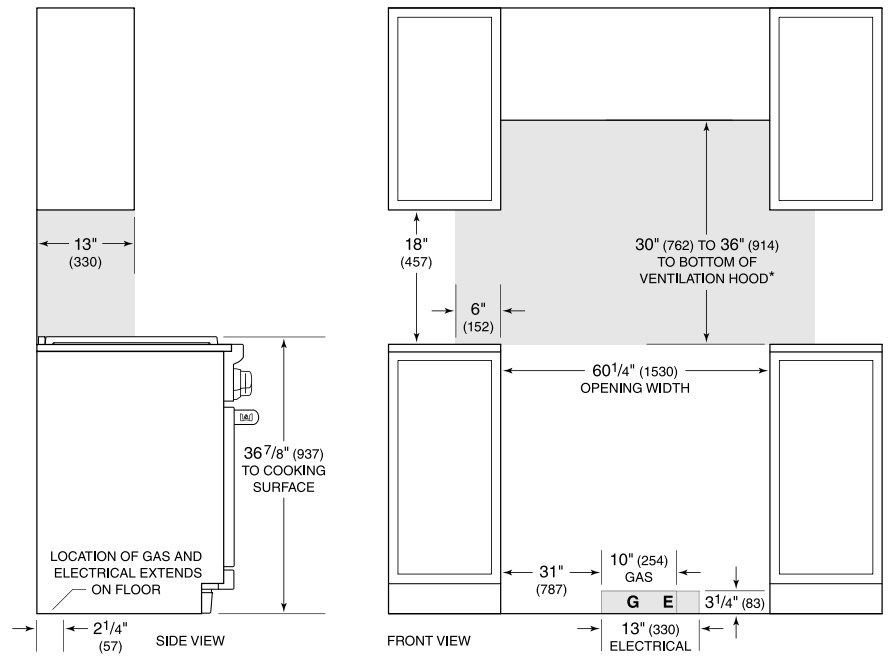


**NOTE:** Dimensions in parenthesis are in millimeters unless otherwise specified

**DIMENSIONS**



**STANDARD INSTALLATION**



*\*Without ventilation hood, 36" (914) minimum clearance countertop to combustible materials, 44" (1118) for charbroiler.  
NOTE: Shaded area above countertop indicates minimum clearance to combustible surfaces, combustible materials cannot be located within this area.  
For island installation, 12" (305) minimum clearance back of range to combustible rear wall above countertop.*