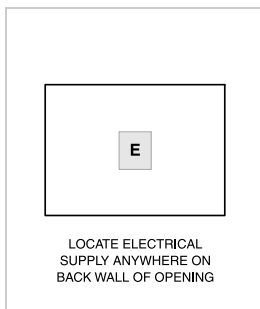


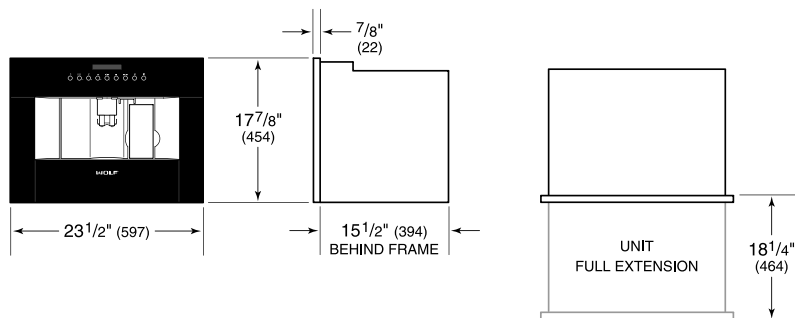
PRODUCT SPECIFICATIONS

Model	ICBEC24/B
Dimensions	597 mm W x 454 mm H x 394 mm D
Weight	80 lb
Electrical Supply	220-240 VAC, 50/60 Hz
Electrical Service	13 amp dedicated circuit
Power Cord Length	6 feet

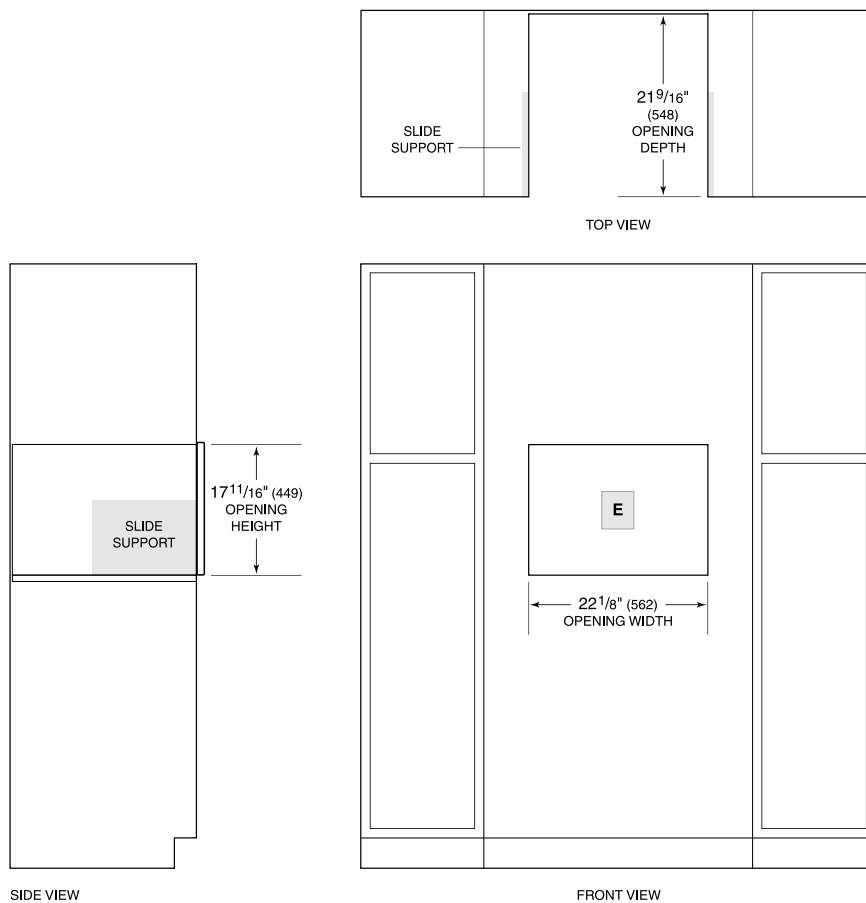
ELECTRICAL



DIMENSIONS



STANDARD INSTALLATION



ICBEC24/B

FEATURES

- Make all your favorite coffee drinks
- Uses whole-bean and pre-ground coffee
- Coffee made to size, from 1 oz. to 12 oz.
- Built-in burr grinder with 13 grind settings
- No plumbing needed
- Rigorously tested in our U.S. manufacturing facilities for decades of use
- Auto-descale reminders
- Five strength settings
- Hot water on demand
- Press Double Coffee button for two identical cups
- Removable milk carafe for freshness

ACCESSORIES

- Care Kit
 - 726 mm trim kits to match Wolf M and E series ovens
- Accessories available through an authorized Sub-Zero dealer.
For local dealer information, visit subzero-wolf.com/locator.



30" TRIM OPTIONS



E SERIES TRANSITIONAL



E SERIES PROFESSIONAL



M SERIES TRANSITIONAL



M SERIES PROFESSIONAL



M AND E SERIES CONTEMPORARY